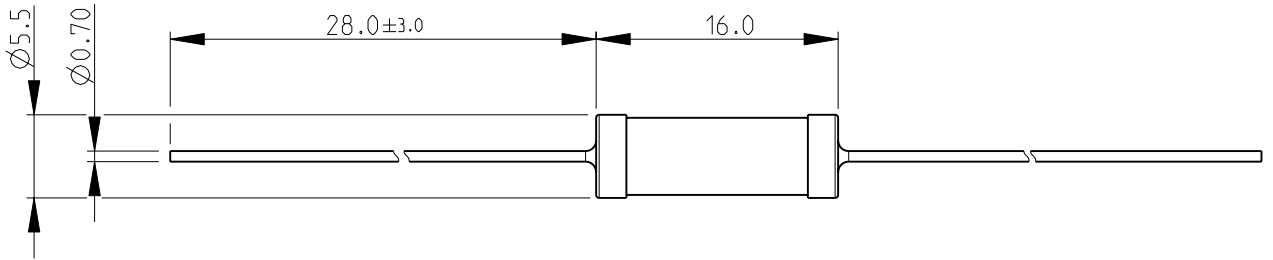
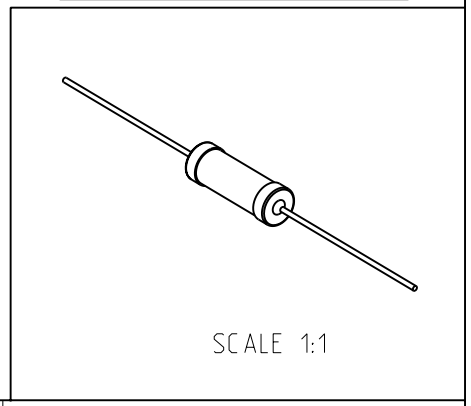


LOC	DIST	REVISIONS			
P	LTR	DESCRIPTION	DATE	DWN	APVD
E	B	BA1	REVISED PER ECO-11-005150	29MAR2011	RK HMR


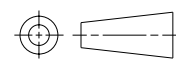
FOR FURTHER INFORMATION SEE DATA SHEET FOR
CFR SERIES-CARBON FILM FIXED RESISTORS



RoHS Compliant



2008
 RELEASED FOR PUBLICATION
 ALL RIGHTS RESERVED.
 BY -
 THIS DRAWING IS UNPUBLISHED.
 COPYRIGHT 2008

DIMENSIONS: mm	DWN	SUBHASH.M	20-Sep-08	MATERIAL	-	FINISH	-	
	CHK	PRAKASH.S	20-Sep-08	 TE Connectivity				
TOLERANCES UNLESS OTHERWISE SPECIFIED:	APVD	STEPHEN.P	20-Sep-08					
0 PLC ± 0.2	PRODUCT SPEC	-	NAME					CARBON FILM FIXED RESISTORS
1 PLC ± 0.1	APPLICATION SPEC	-	SIZE					A 4
2 PLC \pm	WEIGHT	-	CAGE CODE					00779
3 PLC \pm			DRAWING NO					C= 1623929
4 PLC \pm			RESTRICTED TO					-
ANGLES $\pm 5^\circ$			CUSTOMER DRAWING					SCALE
			SCALE					2:1
			SHEET					1 OF 1
			REV					BA1